



PROJECT		REF		REV	ITEM CODE	
LOCATION		DATE			PAGE	

## SANITARY WARE SPECIFICATION SHEET

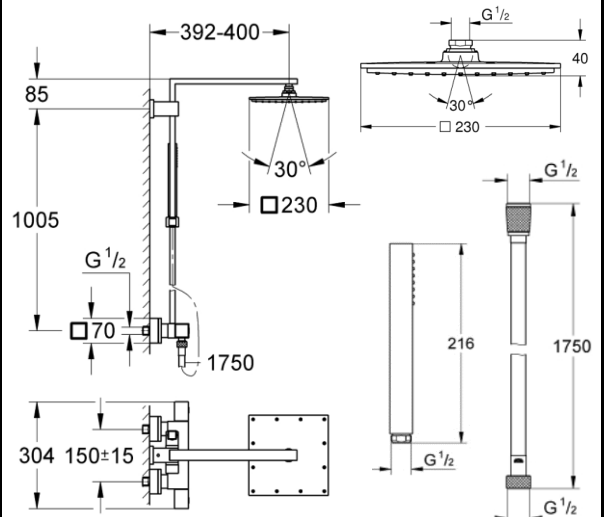
Item Descriptions	GROHE (Germany) "Euphoria Cube System 230" Wall-mounted shower system with thermostatic mixer; including shower head (27479000) and single function hand shower (27699000) ; Nominal flow rate <b>9 L/min</b> in WELS <b>Grade 1</b> ; Registration No. SB 17-0002
Dimensions	L400 x W304 x H1090 mm
Model	26087000
Finish	Chrome Plated
Country of origin	Germany
Manufacturer	GROHE Limited
Supplier	Acme Sanitary Ware Co. Ltd Mr. Eric Wong/ Mr. Don Yuen
Contact Tel/Fax	(852) 2388-7171 / (852) 2710-8012
E-mail	acme@acmesanitary.com.hk
Website	www.acmesanitary.com.hk

### Illustration/ Drawing



### "Euphoria Cube System 230" Shower system with thermostatic mixer for wall mounting

- shower arm
- projection 400 mm
- **exposed thermostatic shower** with Aquadimmer function
- allows change between:
  - Rainshower Allure head shower (27 479 000)
- material: metal
- Rain spray pattern
- with ball joint
- rotation angle  $\pm 15^\circ$
- hand shower Euphoria Cube (27 699)
- adjustable height via gliding element
- Silverflex shower hose 1750 mm (28 388 000)
- **GROHE EcoJoy** technology for less water and perfect flow
- **GROHE TurboStat** compact cartridge with wax thermoelement
- **GROHE SafeStop** safety button at  $38^\circ\text{C}$  ( **calibration required** )
- **GROHE SafeStop Plus** optional temperature limiter at  $43^\circ\text{C}$  included
- **GROHE DreamSpray** perfect spray pattern
- **GROHE StarLight** chrome finish
- **SpeedClean** anti-limescale system
- **Twistfree** preventing the hose from twisting
- minimum flow rate 7 l/min.



\* All information of the above is for the reference only. No prior notice is made if any changes.



PROJECT		REF		REV	ITEM CODE	
LOCATION		DATE			PAGE	

## SANITARY WARE SPECIFICATION SHEET

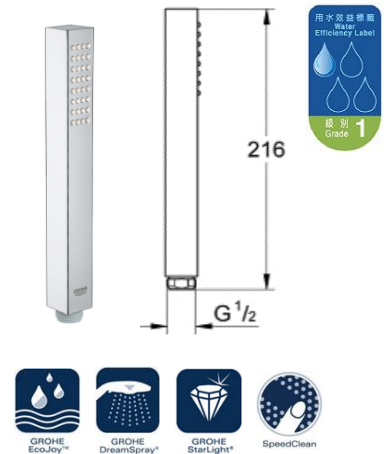
### Hand Shower

Dynamic flow pressure (kPa)	50	150	250	350	500
Flow rate (l/min)	5.30	8.70	9.20	9.20	9.10

#### "Euphoria Cube Stick" 27699000

##### Hand shower 1 spray

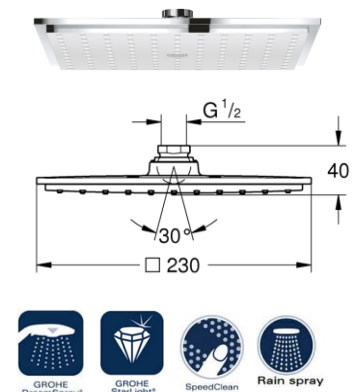
- Normal spray
- GROHE EcoJoy 9.5 l/min flow limiter
- GROHE DreamSpray perfect spray pattern
- GROHE StarLight chrome finish
- SpeedClean anti-limescale system
- Inner WaterGuide for a longer life
- Universal Mounting System. Fits all standard shower hoses



#### "Rainshower Allure 230" 27479000

##### Head shower 1 spray

- Rain
- 230 x 230 mm
- material: metal
- ball joint with turning angle  $\pm 15^\circ$
- connection thread 1/2"
- GROHE DreamSpray perfect spray pattern
- GROHE StarLight chrome finish
- SpeedClean anti-limescale system



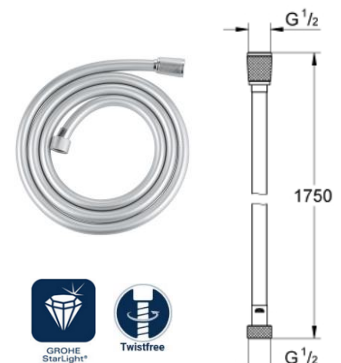
#### "Silverflex" 28388000

##### hower hose Twistfree 1750

- 1750 mm
- smooth surface for easy cleaning
- tensile strength 500 N
- pressure resistance up to 5 bar
- heat resistance 70 °C
- AntiFold bendproof
- universal connection G 1/2" x 1/2"
- Rotation cone for Twistfree function
- GROHE StarLight chrome finish
- blister packaging

##### Colour options:

- 000 | StarLight Chrome
- DC0 | SuperSteel
- DA0 | Warm Sunset
- A00 | Hard Graphite
- AL0 | Brushed Hard Graphite
- GL0 | Cool Sunrise
- GN0 | Brushed Cool Sunrise
- DL0 | Brushed Warm Sunset
- BE0 | Polished Nickel
- EN0 | Brushed Nickel





PROJECT		REF		REV	ITEM CODE	
LOCATION		DATE			PAGE	

## SANITARY WARE SPECIFICATION SHEET



### Rain Spray – like summer rain on your skin

Enjoy the relaxing Rain Spray sensation on your skin. This soft and delicate spray pattern reminiscent of warm summer rain will soothe your body and mind, washing away any tension and stress.



### GROHE EcoJoy with water-saving function for reduced consumption

GROHE EcoJoy reduces water consumption by up to 50% without compromising on performance. Whenever you turn on your tap, you will enjoy a full jet of water while saving money nonetheless.



### Constant water temperature thanks to reliable GROHE TurboStat technology

Our precise control technology ensures an instant water flow at the desired temperature and keeps it constant irrespective of any fluctuations in water pressure or supply.



### GROHE SafeStop (Plus) – double scalding protection at 38°C and (optional) 43°C

Great for homes with children, this safety feature is set at 38°C, preventing you from turning up the water temperature too high. If desired, higher temperatures can be selected by pushing the button. Optional for extra safety: the easy-to-fit GROHE SafeStop Plus limiter ensures that the temperature does not exceed 43°C.



### GROHE DreamSpray for luxurious showering

The GROHE DreamSpray technology turns your daily shower into a luxuriously relaxing experience. The advanced engineering of the shower head ensures a balanced flow of water from all nozzles, whatever spray pattern you choose.



### Easy to clean thanks to the GROHE StarLight chrome coating

Just wipe the tap down with a dry cloth – the ultra smooth surface finish is scratch resistant and ensures a lasting luminous sheen. You'll save plenty of time cleaning while your tap always looks shiny and new.



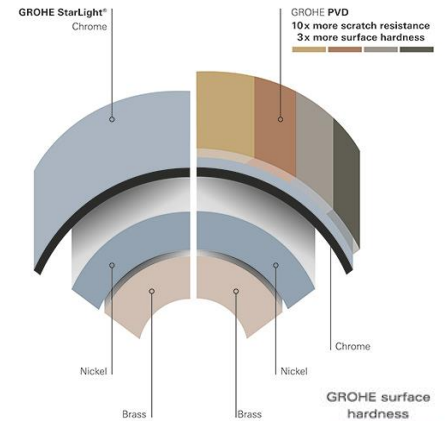
### SpeedClean: easy cleaning thanks to silicone nozzle

Indeed, the name says it all: with the SpeedClean technology, you'll have limescale removed from the spout in the blink of an eye thanks to a nozzle made of silicone. A quick wipe with your fingers is all it takes to remove any limescale deposits, saving you a lot of time and effort!



### TwistFree – prevents your shower hose from twisting

TwistFree shower hoses are inspired by everyday experience: ever had to struggle with a twisted shower hose? TwistFree keeps your shower hose flexible and in shape, saving you that trouble.



GROHE surface hardness



GROHE scratch resistance



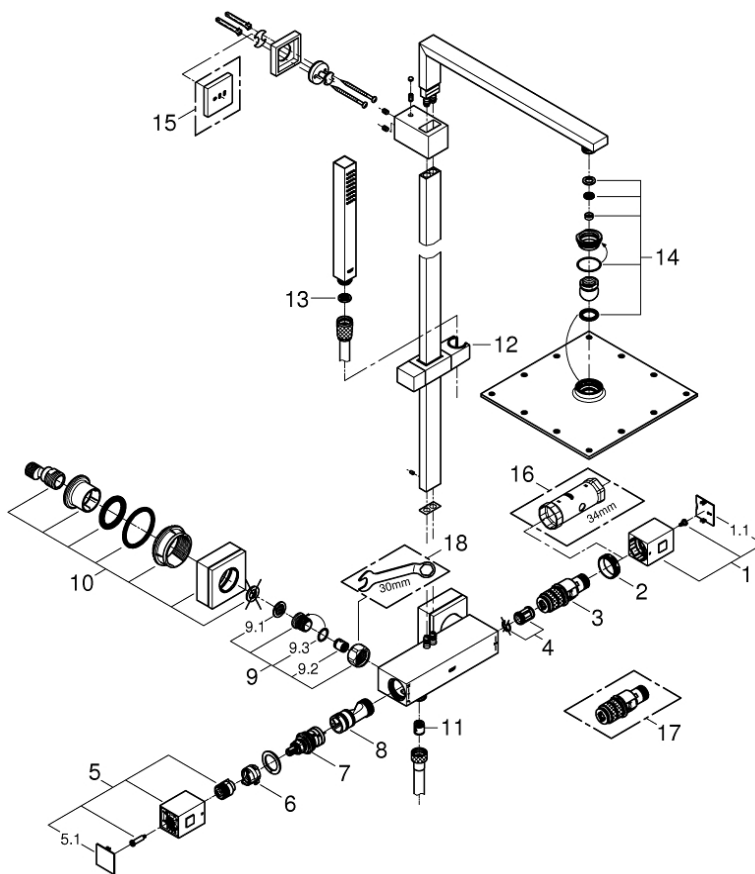
### Note:

\* All information of the above is for the reference only. No prior notice is made if any changes.



PROJECT		REF		REV	ITEM CODE	
LOCATION		DATE			PAGE	

## SANITARY WARE SPECIFICATION SHEET



### SPARE PARTS

- 1: Temperature control handle (Order-nr. 47958000)
  - 1.1: Cover Cap (Order-nr. 4795900M)
  - 2: retaining ring (Order-nr. 47743000)
  - 3: Thermostatic compact cartridge 1/2" (Order-nr. 47439000)
  - 4: Sound absorber (Order-nr. 47398000)
  - 5: Shut-off handle (Order-nr. 47960000)
  - 5.1: Cover Cap (Order-nr. 4795900M)
  - 6: Stop ring (Order-nr. 47965000)
  - 7: Aquadimmer (Order-nr. 12433000)
  - 8: Water flow (Order-nr. 47751000)
  - 9: Non-return valve (Order-nr. 47189000)
  - 9.1: Filter (Order-nr. 0726400M)
  - 9.2: Non-return valve (Order-nr. 08565000)
  - 9.3: O-Ring Ø17 x Ø2 (Order-nr. 0305500M)
  - 10: S-union (Order-nr. 47824000)
  - 11: Non-return valve (Order-nr. 08565000)
  - 12: Sliding piece (Order-nr. 48180000)
  - 13: Strainer (Order-nr. 0700200M)
  - 14: Inlet valve assembly (Order-nr. 45933000)
  - 15: Spacer (Order-nr. 27933000)\*
  - 16: Socket Spanner (Order-nr. 19332000)\*
  - 17: GROHE TurboStat cartridge 1/2" (Order-nr. 47175000)\*
  - 18: Special Spanner (Order-nr. 19377000)\*
- \* Optional accessories

### Note:

\* All information of the above is for the reference only. No prior notice is made if any changes.



自願參與用水效益標籤計劃 - 沐浴花灑  
Voluntary Water Efficiency Labelling Scheme - Showers for Bathing



茲證明  
This is to certify that

將下列花灑在本計劃內註冊：  
has registered the following shower under this scheme :

牌 子 / Brand	:	GROHE
型 號 / Model	:	27699000
原產地 / Country or Region Origin	:	Germany

在用水效益標籤上展示的標誌 <i>Symbolic Presentation on the Water Efficiency Label</i>	:		滴水點 <i>Water droplet(s)</i>
用水效益級別 <i>Water Efficiency Grade</i>	:	1	
耗水量 <i>Water Consumption</i>	:	9	公升/分鐘 <i>litres/minute</i>

簽發日期:  
Date of Issue: 18 January 2017



水務署署長(周世威代行)  
for Director of Water Supplies

本署檔號 : (4) in WSD 3321/2020 T/J(13/2020)  
Our ref.  
來函檔號 :  
Your ref.

電話 :  
Tel.  
傳真 : 2824 0578  
Fax.


21 February 2020



### Approval of "GROHE" Shower Mixer (General Acceptance No. C20200104)

Your letters ref. WRC/2131 and C-WSD/0553 dated 6 January 2020 and 16 January 2020 respectively refer.

Having considered the test report ref. J24749 issued on 10 December 2019 by Nutek Systems (HK) Ltd., this Authority accepts that the fitting described below complies with, and its use when correctly installed does not contravene, the Waterworks Ordinance and Regulations.

**Name of Manufacturer:** Grohe AG  
**Country of Origin:** Germany  
**Brand:** Grohe  
**Details of Fitting:** 1/2" Wall mounted single lever shower mixer  
**Model:** 26087XXX  
(where the digits "XXX" denote the code of colour)  
**Body Markings:**   
**Expiry Date:** 4 November 2024

This Authority hereby permits the use of the above fitting in fresh water plumbing systems subject to full adherence to Waterworks installation requirements. In particular, you are required to draw your customers' attention to the following requirement-

"The cold water supply to the fitting shall be drawn from the same source that supplies the hot water apparatus so as to provide a balanced pressure and to obviate the risk of scalding in the event of a restriction or failure in the water supply." AND

"The shower head or handspray should not be placed in submerged conditions and should be securely fixed to the original position after use."

A condition of this acceptance is that the fitting to be installed shall be replicas of the sample as certified by the testing agent mentioned above and without modifications. This acceptance may be withdrawn at any time if the standard of the fitting installed fails to meet that of the approved sample or if the fitting is found to be unsuitable for use in fresh water plumbing systems.

This acceptance is only applicable to the main body of the fitting, unless otherwise specified.

For the use of the fitting in any project, the General Acceptance Number of this letter must be quoted as a means of identification of acceptance of the fitting by this Authority.

Should you have any enquiries, please contact our Engineer Mr. Terry KUNG at tel. no. 3583 4086.

Yours faithfully,



(CHAN Chung-kun)

for Director of Water Supplies

Encl.

c.c.     WSD 3321/1/82   ] - without catalogue  
          ME/MC           ] - with soft copy only